

FRONT END CYLINDER

TYPE : MF-RP

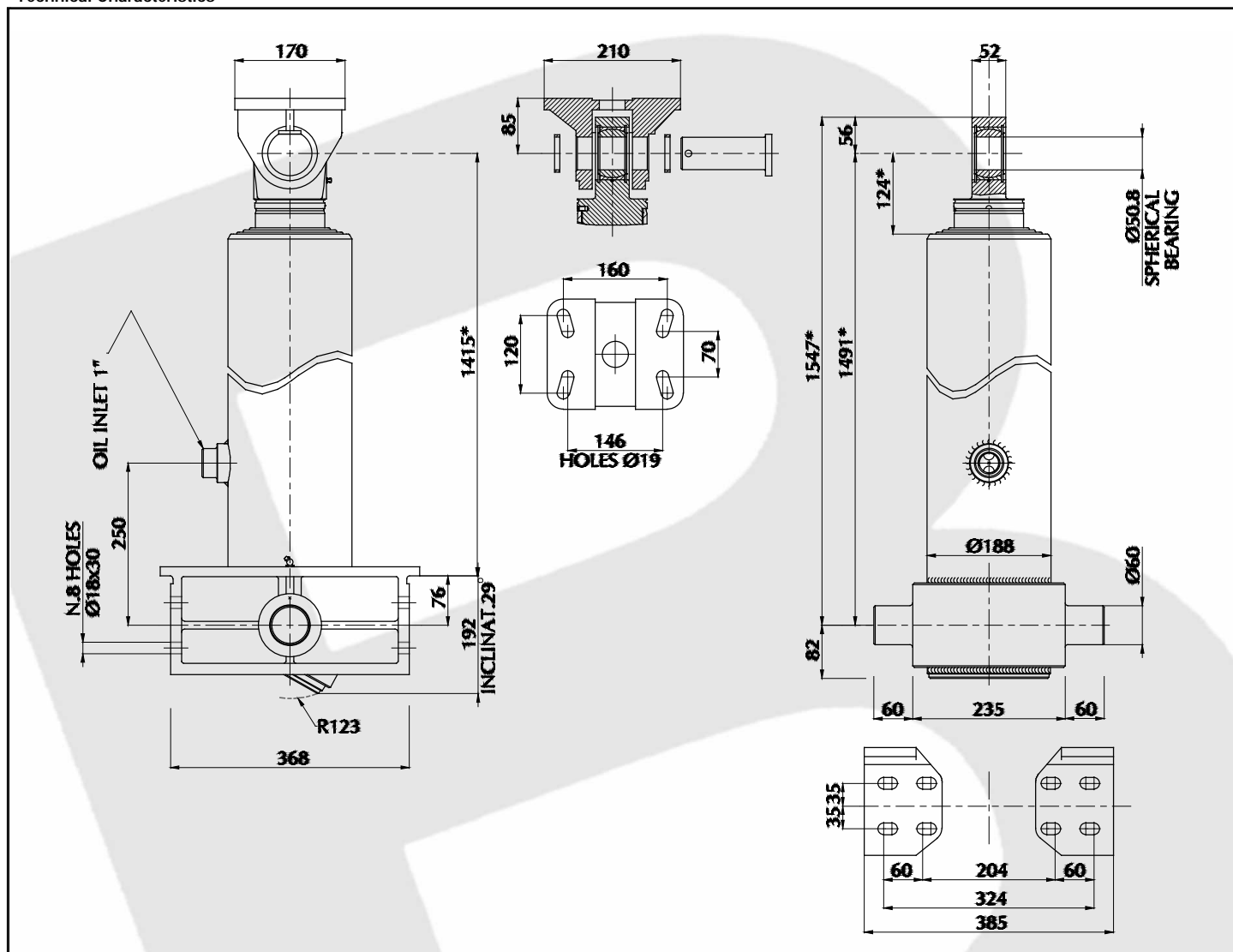
SERIE : Ø 165

CYL.TYPE

MF 165.4.4700 RP - D.1491

For Tipping Weight See Advices Below

Technical Characteristics



Cylinder stages

| Ø Stage | Ø045 | Ø060 | Ø076 | Ø092 | Ø108 | Ø069 | Ø088 | Ø107 | Ø126 | Ø145 | Ø165 | Ø167 | Ø187 | Ø210 | Ø236 | Ø265 |
|--------------------------|------|------|------|------|------|------|------|-------|-------|-------|-------|------|------|------|------|------|
| Thrust at 200 Bar [Tons] | --- | --- | --- | --- | --- | --- | --- | 18.00 | 24.90 | 33.00 | 42.80 | --- | --- | --- | --- | --- |
| Stages of cylinder | | | | | | | | ● | ● | ● | ● | | | | | |

Specifications

| | |
|------------------------------|------|
| Stages number | 04 |
| Cylinder Stroke [mm] | 4700 |
| Cylinder weight only [Kgs] | 225 |
| Working volume [Ltrs] | 69.7 |
| Max Working pressure [Bar] | 200 |

Technical information

| | |
|---|--------------------------------------|
| <input type="checkbox"/> Oil | : See oil specification sheet |
| <input type="checkbox"/> Tipping weight | : Net weight body + Payload |
| <input type="checkbox"/> Fitted centres [°] | : Closed centres plus 20 mm pull out |

Advices

All our cylinders are manufactured to suit the particular application in the differing world markets/climate. Should you require details of the exact lifting capacity of the cylinder that has been selected for your application/vehicle then please contact our technical department who will be only pleased to explain or advise.

Brackets and Accessories

| | | |
|---------------------------------------|----------|---------------------|
| Chassis bracket [2 Units x cylinder] | SIL#MIH | 15.48 [Kgs] x 2 = |
| Lifting bracket | SSL#PFH | 11.75 [Kgs] x 1 = |
| Chassis brackets mounting kit | KFSI#001 | |

Recommendation

| |
|---|
| <input type="checkbox"/> This Binotto cylinder is designed as a lifting device only |
| <input type="checkbox"/> It must not be used as a structural member or be subject to side loads |
| <input type="checkbox"/> Pump flow in consultation with Binotto engineering department |

BINOTTO SRL

BINOTTO IS CONSTANTLY ENGAGED IN IMPROVING ITS PRODUCTS AND THEREFORE RESERVES THE RIGHT TO MODIFY WITHOUT ANY NOTICE CHARACTERISTICS SHOWN

VIA DIVISIONE JULIA, 7/B - 36031 DUEVILLE (VI) ITALY • TEL. 0039.0444.593290 - FAX. 0039.0444.593357 • E-MAIL. INFO@BINOTTO.COM

Edit.: 04 • 2006

Rev.: 01 • 2006

Date: 01.09.2006

Pag.: MF-RP 165.4.4700_02